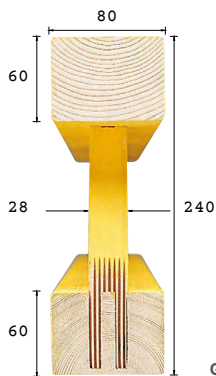


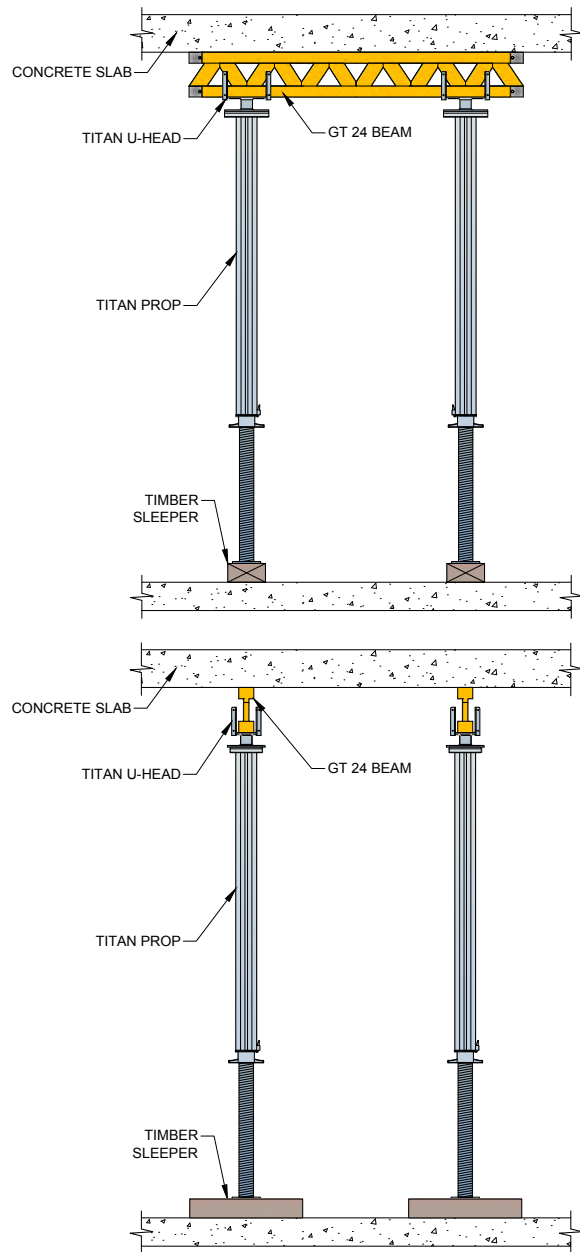
GT BEAMS

GT BEAM SPECIFICATIONS

Nominal Length	Actual Length	Weight
900mm	918mm	5.3kg
1200mm	1214mm	7.1kg
1500mm	1510mm	8.9kg
1800mm	1806mm	10.6kg
2100mm	2102mm	12.4kg
2400mm	2398mm	14.2kg
2700mm	2694mm	15.9kg
3000mm	2990mm	17.7kg
3300mm	3286mm	19.5kg
3600mm	3592mm	21.2kg
3900mm	3878mm	23kg
4200mm	4174mm	24.8kg
4500mm	4470mm	26.6kg
4800mm	4766mm	28.3kg
5100mm	5062mm	30.1kg
5400mm	5358mm	31.9kg
5700mm	5654mm	33.6kg
6000mm	5950mm	35.4kg
Weight Per Metre Length		5.9kg/m



GT Beams - End View



MULTI PROPS



OUR MULTI PROPS MIGHT BE LIGHT, BUT THEY HAVE AN EXTRAORDINARY LOAD-BEARING CAPACITY.

Multi Props are made of aluminium, making them very light. For example, the MP 350 can be extended from 1.95m to 3.50m and only weighs 18.8kg. The patented profile, along with the actual construction of the Multi Prop, allows for a considerably longer service life than steel tubing. Multi Props have a high load-bearing capacity, integrated measuring tape, and self-cleaning thread.

MULTI PROPS

MULTI PROP WORKING LOAD LIMIT

Extend. Length (m)	MP 250 Length = 1.45–2.50m		MP 350 Length = 1.95–3.50m		MP 480 Length = 2.60–4.80m		MP 625 Length = 4.30–6.25m	
	Outer Tube at Bottom	Inner Tube at Bottom	Outer Tube at Bottom	Inner Tube at Bottom	Outer Tube at Bottom	Inner Tube at Bottom	Outer Tube at Bottom	Inner Tube at Bottom
	(kN)	(kN)						
1.45	73.3	76.2						
1.50	73.3	76.2						
1.60	73.3	76.2						
1.70	73.3	76.2						
1.80	71.7	76.2						
1.90	68.6	76.2	(kN)	(kN)				
1.95	67.0	76.2	88.3	87.4				
2.00	65.4	76.2	88.3	87.4				
2.10	63.8	74.6	83.0	87.4				
2.20	62.2	73.0	77.7	87.4				
2.30	61.1	70.5	72.9	86.6				
2.40	60.6	67.0	68.6	85.1				
2.50	60.0	63.6	64.4	83.5	(kN)	(kN)		
2.60			61.9	80.7	85.9	71.4		
2.70			59.3	77.8	81.2	71.1		
2.80			57.5	74.9	76.5	70.8		
2.90			55.7	71.9	71.8	70.4		
3.00			54.3	68.3	67.1	70.1		
3.10			52.9	64.6	63.0	69.4		
3.20			51.4	60.0	58.9	68.6		
3.30			49.8	55.4	54.8	67.9		
3.40			46.4	50.3	52.5	66.2		
3.50			42.9	45.1	50.2	64.5		
3.60					47.9	62.8		
3.70					46.0	58.6		
3.80					44.2	54.4		
3.90					42.3	50.2		
4.00					40.4	46.9		
4.10					38.5	43.7		
4.20					36.6	40.4	(kN)	(kN)
4.30					34.8	38.2	56.2	44.6
4.40					32.9	36.0	54.7	44.6
4.50					31.1	33.7	53.1	44.6
4.60					29.3	31.5	50.9	43.8
4.70					27.4	29.3	48.8	43.0
4.80					25.6	27.1	46.4	42.1
4.90							43.8	41.2
5.00							41.2	40.3
5.10							38.6	38.8
5.20							36.1	37.3
5.30							33.6	35.9
5.40							31.9	34.5
5.50							29.9	33.1
5.60							28.4	31.6
5.70							26.9	30.1
5.80							25.5	28.6
5.90							24.3	27.0
6.00							23.1	25.4
6.10							22.0	24.1
6.20							20.9	22.8
6.25							20.4	22.1

Note: Specifications are approximate.