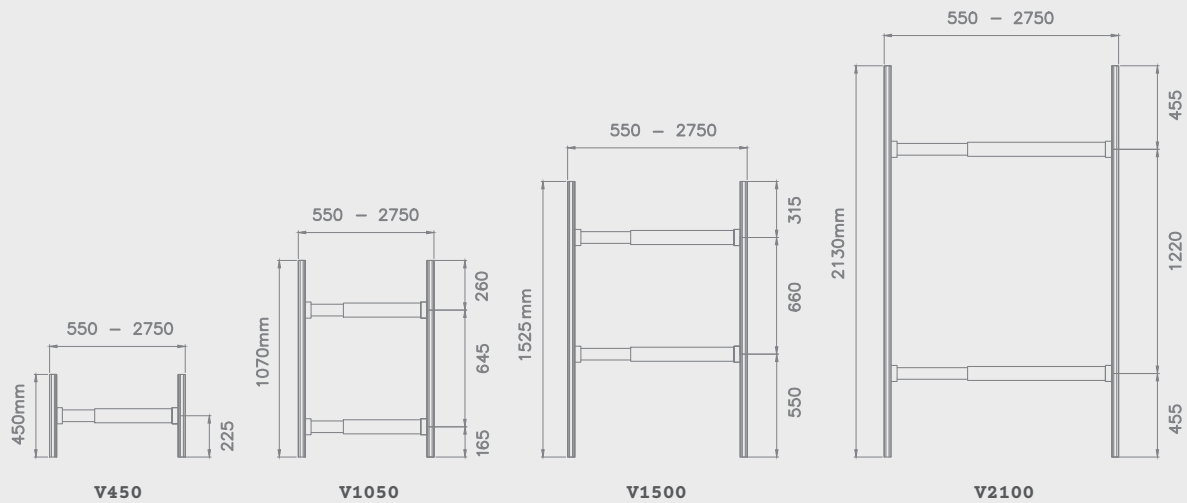


ALUMINIUM VERTISHORES



VERTISHORES ARE THE QUICKEST, SIMPLEST, AND SAFEST WAY TO SHORE A TRENCH IN COHESIVE SOILS.

Typically installed by one person from beside the top of the trench, the trench can be safely shored while the excavator continues to dig. Various length rails allow trenches to be shored up to 3.0m deep, while a choice of extension spacers will provide widths in excess of 2.7m. Installation is carried out using the installation tool, then pressurised using the hydraulic hand pump. Using a system of 3 Vertishores, a trench up to 2.4m can be safely shored in minutes.

ALUMINIUM VERTISHORE SPECIFICATIONS

	V450 – 900	V450 – 1400	V1050 – 900	V1050 – 1400	V1500 – 900	V1500 – 1400	V2100 – 900	V2100 – 1400
Length of Rail	450mm	450mm	1070mm	1070mm	1500mm	1500mm	2130mm	2130mm
Width of Rail	204mm	204mm	204mm	204mm	204mm	204mm	204mm	204mm
# of Cylinders	1	1	2	2	2	2	2	2
Min Trench Width	550mm	850mm	550mm	850mm	550mm	850mm	550mm	850mm
Max Trench Width	1750mm	2750mm	1750mm	2750mm	1750mm	2750mm	1750mm	2750mm
RANGE	Extension 900.1(550–900)	550–900mm		550–900mm		550–900mm		550–900mm
	Extension 900.2(840–1180)	840–1200mm		840–1200mm		840–1200mm		840–1200mm
	Extension 900.3(1120–1460)	1120–1460mm		1120–1460mm		1120–1460mm		1120–1460mm
	Extension 900.4(1400–1750)	1400–1750mm		1400–1750mm		1400–1750mm		1400–1750mm
	Extension 1400.1(850–1400)	850–1400mm		850–1400mm		850–1400mm		850–1400mm
	Extension 1400.2(1310–1850)	1310–1850mm		1310–1850mm		1310–1850mm		1310–1850mm
	Extension 1400.3(1760–2300)	1760–2300mm		1760–2300mm		1760–2300mm		1760–2300mm
	Extension 1400.4(2220–2750)	2220–2750mm		2220–2750mm		2220–2750mm		2220–2750mm
Stroke (Approx.)	340–350mm	530–540mm	340–350mm	530–540mm	340–350mm	530–540mm	340–350mm	530–540mm
Min Depth	–	–	1060mm	1060mm	1500mm	1500mm	1975mm	1975mm
Max Depth	–	–	2445mm	2445mm	2460mm	2460mm	3020mm	3020mm
Weight – With Standard Extensions	11kg	13kg	23kg	28kg	28kg	32kg	32kg	37kg
Max Hydraulic Pressure	1500psi	1500psi	1500psi	1500psi	1500psi	1500psi	1500psi	1500psi

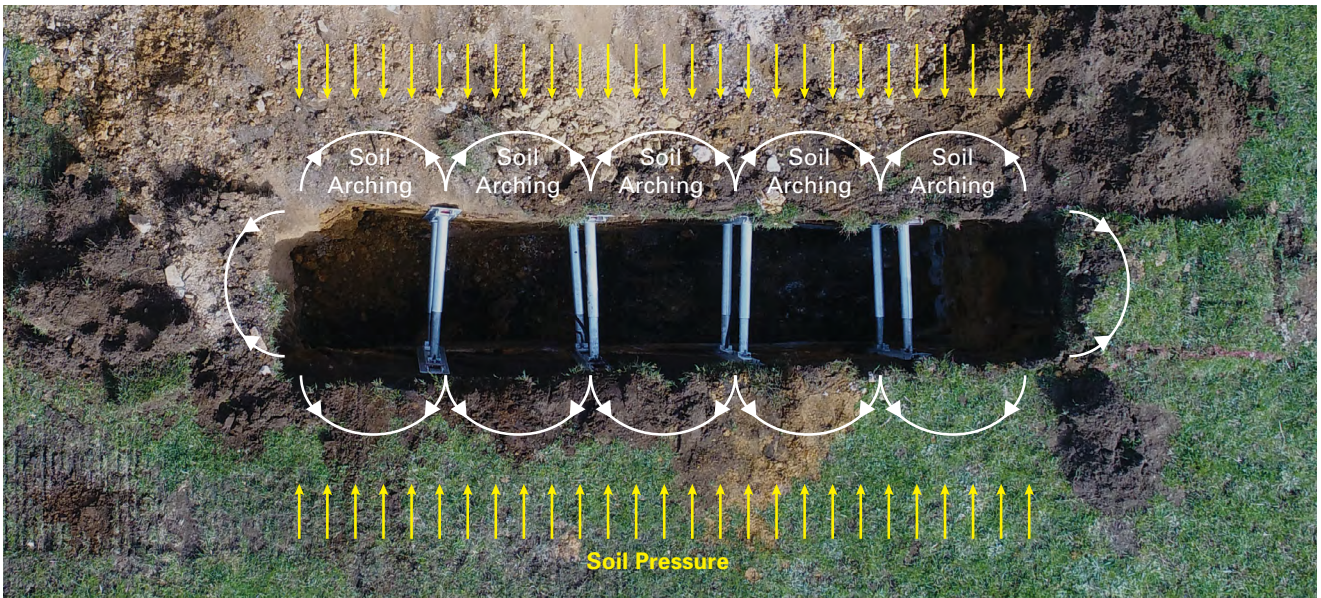
Note: For shoring in cohesive soils only. Extra extension spacers are required for wider trenches.

ALUMINIUM VERTISHORES



SOIL ARCHING

Soil Arching is created by the hydraulic pressure from the Vertishore rams creating "fingers" of pressure into the surrounding soil. These fingers produce a "Soil Arching" effect which prevents the soil collapsing into the excavation.



*plywood/sheeting may be incorporated into engineered designs, please contact us for more information